

FIRE ALARM BELL**FBM023 / FBM023-D
FBM023Z-D / FBW013-EA****FEATURES**

- Motor driven type alarm bell
- High sound output with low current consumption
- High durability
- Low RFI noise
- Rainproof type available
- Lead wire connection

**DESCRIPTION**

The NOHMI's fire alarm bell provides a higher level of sound with a high efficiency and a lower level of RFI noise.

FBM023 and FBW013-EA fire alarm bells are not compatible with the Automatic Testing Function (ATF) of the NOHMI analog addressable fire alarm system, since these alarm bells are not polarized.

FBM023-D and FBM023Z-D bells are compatible with both NOHMI ATF analog addressable and conventional fire alarm systems.

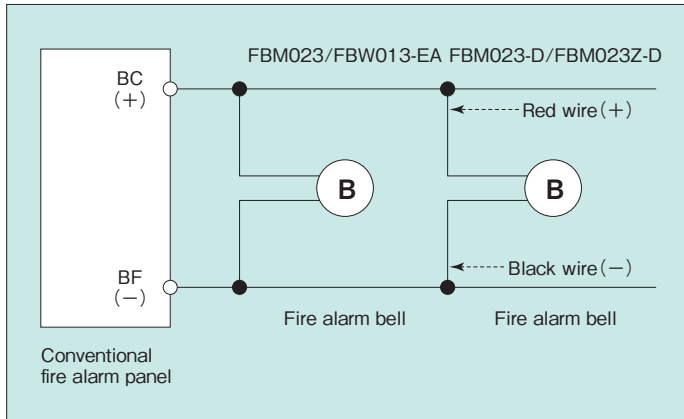
It is recommended that fire alarm bells are installed so that the sound level at any place is higher than 65 dB or higher than 6 dB plus the ambient sound level.

SPECIFICATIONS

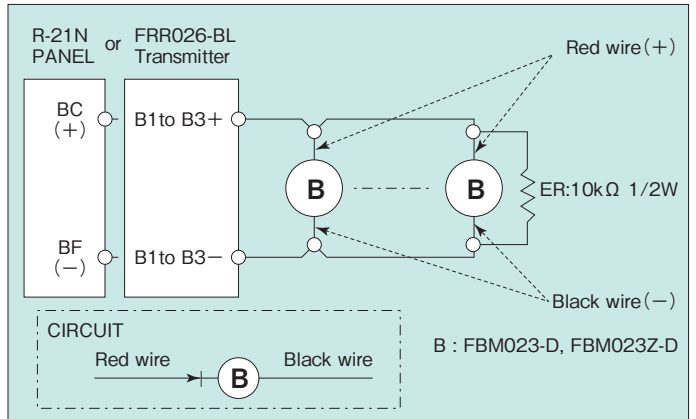
Model No.	FBM023	FBM023-D	FBM023Z-D	FBW013-EA
TYPE	Standard	With diode		Rainproof
RATED VOLTAGE	24V DC			
RATED CURRENT	10mA			
POLARITY	Non-polarized	Polarized		Non-polarized
AMBIENT TEMPERATURE	-10 to 40°C			-10 to 50°C
NOMINAL SOUND LEVEL	More than 90dB (at 1m)			
SOUNDING MECHANISM	Motor driven			
MATERIALS	Gong : Aluminum Alloy Fixing plate: Steel plate t=1.2mm			Gong :Aluminium Alloy Housing:ABS resin
FINISH	Gong : Baked meramine Fixing plate: Galvanized			Gong : Baked meramine
WEIGHT	Approx. 420g			Approx. 540g
OTHERS	Marked in Japanese		Marked in English	Marked in Japanese

NOHMI BOSAI LTD.

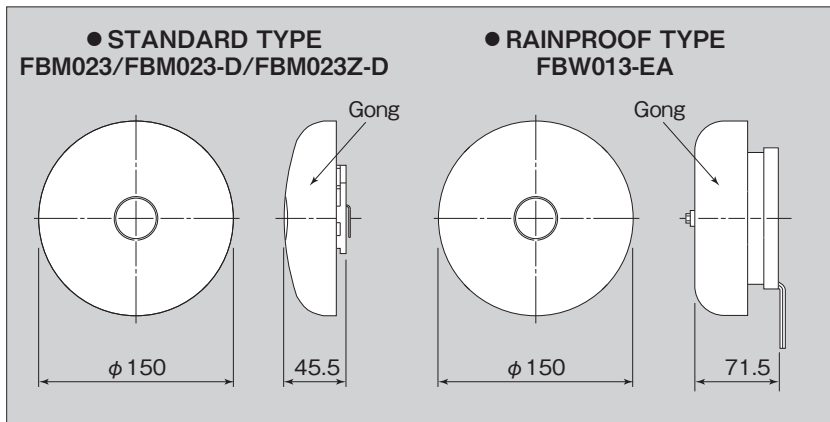
TYPICAL WIRING DIAGRAM



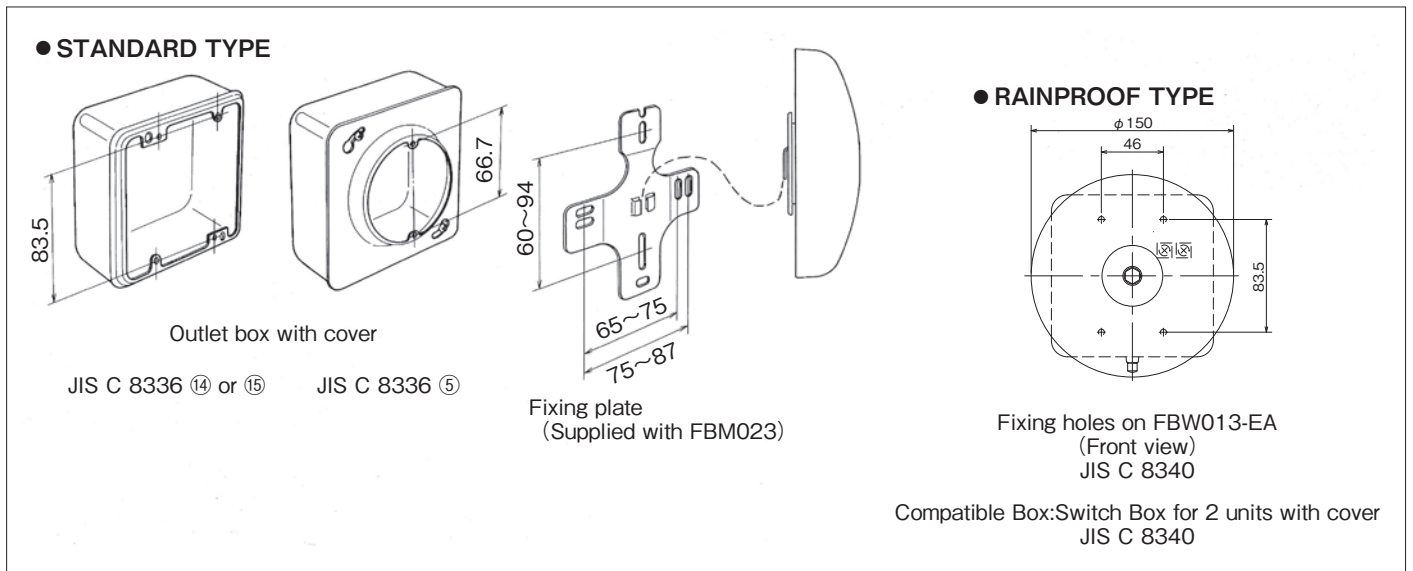
WIRING DIAGRAM WITH LINE MONITOR FUNCTION



DIMENSIONS



INSTALLATION



- These instructions do not purport to cover all the details or variations in the equipment described, nor provide for every possible contingency to be met in connection with installation, operation and maintenance.
- Specifications are subject to change without notice. Contact Nohmi before relying on above specifications.
- Actual performance is based on proper application of the product by a qualified professional.
- Should further information be desired or should particular problems arise, which are not covered sufficiently for the purchaser's purposes, the matter should be referred to Nohmi or a distributor in your region.



● **HEAD OFFICE** : 7-3, Kudan Minami 4-chome,
Chiyoda-ku, Tokyo 102-8277, Japan

● **PHONE** : (81)3-3265-0231

● **F A X** : (81)3-3265-5348

● **U R L** : <http://www.nohmi.co.jp/english/>